

Manufacturer	Mox Profile Systems
Product Name	Round Fix
Product Description	Aluminium tile trim round external corner
Product No	7754, 7755, 7756, 7757
Document Title	Design and quality of Round Fix

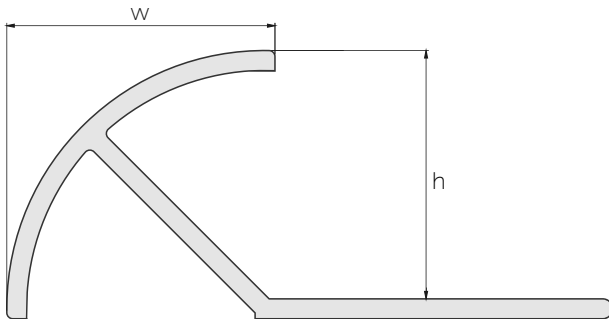
Round Fix aluminium tile trim round external corner adds aesthetics to your ceramic applications with its wide range of surface options compatible with trending ceramic colors and textures. It is used in 90 degrees outer corner joints of ceramic applications. In addition to providing aesthetics that will eliminate joint and application flaws, it also prevents damage to ceramics. It is extremely durable and long-lasting since it is produced from high quality raw material and has thick walls. Unlike its competitors, it stands out with its coating thickness and quality of anodizing, and with its pretreatment application that provides resistance to corrosion in electrostatic powder painting. Round Fix, smoothens the transition in the external corners and provides an elegant appearance. Round Fix aluminium tile trim round external corner can be easily installed by applying tile adhesive to joint extensions and firmly pressing adjoining tiles into place. Corners can be easily assembled using corner parts specially developed to prevent the need of angular cutting. It is available in 2700mm length and sizes suitable for tiles of 6, 8, 10, 12mm. Round Fix aluminium tile trim round external corner profile has matte anodized, bright anodized, satin chemical bright anodized and electrostatic powder painting options. While silver, yellow, inox, bronze and black anodized color coatings are available, it can also be painted to the desired RAL code with electrostatic powder painting.



Warranty

Mox Profile Systems presents to your information that all our aluminium profile materials have been under warranty for 5 years from the date of receipt except for the user errors as listed below:

- Damage caused by impact
- Damage caused by scratching
- Damage caused by abrasive substance or chemical cleaning agents contact
- Damage caused by prolonged contact with water
- Damage caused by exposure to intense temperature
- Damage caused by montage



Technical Details

Material:	Aluminium
Height:	6, 8, 10, 12.5 mm
Width:	7, 9, 11, 13.5 mm
Length:	2700 mm
Alloy:	EN AW 6463 T6, EN AW 6061 T6
Surface:	Powder Coated, Anodised, Chrome Plated

Manufacturer Quality Certifications



Important Note

THIS PRODUCT HAS BEEN DESIGNED BY MOX PROFILE SYSTEMS AT THE REQUEST OF THE CUSTOMER. MOX PROFILE SYSTEMS CANNOT BE HELD RESPONSIBLE FOR ANY INFRINGEMENT OF PATENTS, COPYRIGHTS OR OTHER SUCH CONDITIONS RELATED TO THE DESIGN

ALLOY DATA SHEET
EN AW 6463 (AlMg0,7Si)

Place of Use

The alloy EN AW-6463 is a widely used extrusion alloy, suitable for applications where only modest strength properties are required. Parts can be produced with a good surface quality, suitable for many coating operations. Typical application fields are furniture, finishing materials, windows and doors, car body finishing, façade construction, lighting columns and flagpoles.

Chemical composition according to EN573-3 (weight%, remainder Al)

Si	Fe	Cu	Mn	Mg	Cr	Zn	Ti	Al
0,20-60	Max 0,15	0,2	Max 0,5	045 0,9	-	Max 0,05	Max 0,1	Rest

Mechanical properties according to EN755-2

Temper*	Wall Thickness e***	Proof Stress	Tensile Stress	Elongation		Brinell Hardness
				Min	Max	
	e*mm	R _{p0.2} min Mpa	R _m min Mpa	A _{50mm} %	A %	HB**
T4	e≤50	75	125	14	12	46
T5	e≤50	150	110	8	6	60
T6	e≤50	195	160	10	8	74

*Temper designation according to EN515: T4-Naturally aged to a stable condition, T5-cooled from an elevated temperature forming operation and artificially aged, T6-Solution heat treated, quenched and artificially aged.

** Hardness values are for indication only

***For different wall thicknesses within one profile, the lowest specified properties shall be considered as valid for the whole profile cross section

Physical properties (approximate values, 20°C)

Density	Melting range	Electrical conductivity	Thermal conductivity	Co-efficient of thermal expansion	Modulus of elasticity
[kg/m ³]	[°C]	[MS/m]	[W/m.K]	10 ⁻⁶ /K	[GPa]
2700	585-650	28-34	200-220	23.4	~70

Weldability¹

Gas: 3 TIG: 2 MIG: 2

Typical filler materials (EN ISO18273): SG-AlMg5Cr(A) or AlSi5, and AlMg3 when the product has to be anodised. Due to the heat input during welding the mechanical properties will be reduced by approximately 50% (ref. EN1999-1).

Machining characteristics¹: T4 Temper 3 / T5 and T6 Temper 2

Coating properties¹ Hard/protective anodising: 1 / Decorative/bright/colour anodising: 2

Corrosion resistance¹ General: 1 Marine: 2

¹Relative qualification ranging from 1-very good to 6 – unsuitable